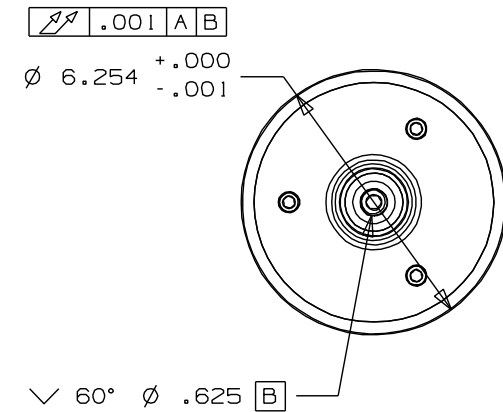
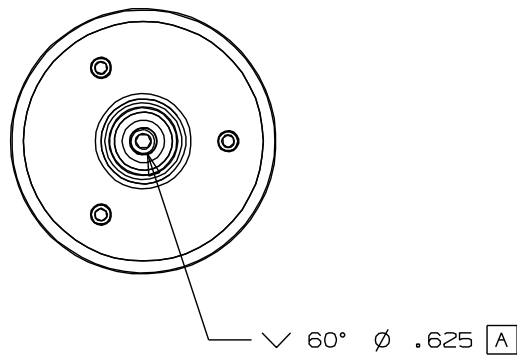

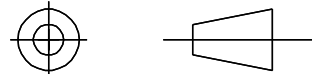


SAMPLE DRAWING  
 Full Product Line  
 Drawings & Pricing  
 Coming Soon!



<b>PROPRIETARY NOTICE</b> EXCEPT AS OTHERWISE AGREED TO IN WRITING, THE DESIGN AND INFORMATION DISCLOSED HEREIN ARE THE PROPERTY OF MOUNTAIN MACHINE WORKS, INC. AND MUST NOT BE COPIED OR DISTRIBUTED OUTSIDE MOUNTAIN MACHINE WORKS EXCEPT TO AUTHORIZED PERSONS WITH A GENUINE NEED TO KNOW WHO BY THE USE HEREOF ACKNOWLEDGE MOUNTAIN MACHINE WORKS AS OWNER AND AGREE TO MAINTAIN THIS DESIGN AND INFORMATION IN STRICT CONFIDENCE.		<b>MOUNTAIN MACHINE WORKS</b> 4589 HOTEL ROAD, AUBURN, ME 04210 <a href="http://www.Xpandrel.com">www.Xpandrel.com</a>			
TOLERANCES (EXCEPT AS NOTED)		MATERIAL 6061-T6 BODY - INTERNAL COMPONENTS VARY			
DECIMAL .XXXX ± .0005 .XXX ± .005 .XX ± .01 .X ± .02		FINISH (EXCEPT AS NOTED) 63√MAX.	SCALE 1:4	DRAWN BY K.HASKELL	DATE 07/05/2012
THIRD ANGLE PROJECTION		SIZE B		APPROVED BY DATE	
		TITLE 5000 D1 SERIES XPANDREL 9WL17 - CUSTOM			
		FRACTIONAL ± .015	SHEET 1 OF 1	DRAWING NUMBER 50D1E9WL17EBSACC-61_APPROVAL_DWG	REV. 11
		ANGULAR ± 1°			